

# Poly-Classic® Composite Railing System

## BEAUTY, STYLE AND PERFORMANCE MADE EASY.

Installing a stylish railing system on a home is like putting icing on a cake. Many homeowners do not want the labor-intensive maintenance of wood railings—including staining, sealing and repairing damage caused by the elements. For others, the look of vinyl may not appeal to them. Turncraft's Poly-Classic® composite railing system is the perfect solution. Our railings are made from a wood/polymer composite—material that is superior to vinyl in every way. They offer the look and style of premium wood that is virtually maintenance free—with fast and easy installation so you can do more in less time.

## LOOKS LIKE WOOD. OUT-PERFORMS VINYL.

Our Poly-Classic Composite Railing System is a great solution for many home designs—from classic style houses to more contemporary structures. It adds an elegant and low-maintenance accent to decks porches, patios, stairways and walkways.

See page 22 for specifications.





## CRAFTSMAN

A decorative rail  
in the timeless  
Arts and Crafts style.



## CRAFTSMAN OVER-THE-POST

Continuous rail for a distinctive  
architectural appearance.



## COLONIAL

Classic good looks and  
unbeatable performance.  
Perfect for porches,  
decks and second-story  
balconies.



**WITH THREE UNIQUE STYLES AND TWO POPULAR COLORS TO CHOOSE FROM, TURNCRAFT'S POLY-CLASSIC® COMPOSITE RAILING SYSTEM PUTS THE FINISHING TOUCH ON ANY HOME OR RESIDENTIAL BUILDING. THESE RAILINGS OFFER THE PREMIUM LOOK OF WOOD, WITH MINIMAL MAINTENANCE.**

### **BEAUTY AND PERFORMANCE.**

Beauty and performance are built right into Turncraft's Poly-Classic® composite railing system. Manufactured using a blend of wood flour and engineered polymers that bind the wood together then topped with a vinyl coat for excellent protection, it offers the look and style of premium wood. This advanced material is superior to vinyl in looks and durability. Unlike wood, it resists penetrating stains, warping, splitting, splintering, rotting and peeling. It offers unsurpassed weather performance and color retention.

Choose from three classic railing styles—Craftsman, Craftsman Over-The-Post and Colonial—in white or khaki. The Craftsman Over-The-Post style offers a distinctive continuous rail over the posts, a feature usually available only in all-wood railings.

### **EASY TO MAINTAIN. EASY TO INSTALL.**

It is true, this railing system offers both easy maintenance and easy installation. Each kit comes complete with rails, balusters, hardware, touch-up paint and detailed instructions—everything you need to install between posts! Each component is manufactured to be straight and true—so you will not experience installation problems. There are no special tools needed since it cuts just like wood. Designed to complement Turncraft's existing line of columns, posts and railing components, the new Poly-Classic composite railing system is covered by a Limited Lifetime Warranty to the original purchaser—a warranty that is hard to beat. Details are available from your distributor or our web site [www.Turncraft.com](http://www.Turncraft.com).



## FEATURES AND BENEFITS OF THE TURNCRAFT® COMPOSITE RAILING SYSTEM

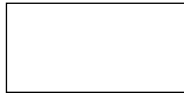
- High-performance composite material offers durability, resistance to weather and fewer maintenance requirements.
- PVC Capstock exterior gives a painted wood-like appearance without the upkeep of natural wood. No annual staining or sealing required.
- Composite materials are superior to vinyl in every way, including looks and durability.
- Delivered in boxed kits complete with all the materials you need for installing between posts.
- Material is resistant to warping, splitting or splintering for safe and worry-free use.
- Routed system creates an attractive appearance without exposed fasteners.
- Multiple designs and colors allow you to meet your style and aesthetic desires.
- Limited Lifetime Warranty protects your investment.
- Material cuts like wood, so no special tools are needed... great for rail renovations.
- Composite material resists water, insects and termites for long-lasting appearance without additional annual maintenance expenditures.
- Third party testing to meet ICC-ES AC174 requirements.
- 6' and 8' horizontal rail lengths offer increased renovation and design capabilities.
- Professional contractors report 50% faster installation times over other railing systems.

### Turncraft Poly-Classic Composite Railings

Benefit	C	V	W
Beautiful Look and Feel of Painted Wood	✓		✓
Structural Integrity	✓	✓	✓
Quick & Easy Installation, Routed System	✓	✓	
Fewer Inserts During Installation*	✓		
No Exposed Hardware	✓	✓	
Limited Lifetime Warranty	✓	✓	
Least Likely to Expand and Contract*	✓		
Weather Resistant	✓	✓	
Resists Warping, Rotting, Splitting, Peeling and Splintering while Retaining Color	✓	✓	
Resists Water, Insects and Termites	✓	✓	
Little to No Annual Maintenance	✓	✓	
Multiple Colors and Designs	✓	✓	
Passed Third Party ICC-ES AC174 Testing	✓		

C= Poly-Classic Composite, V=Vinyl, W=Wood  
 \*Typically, but not always

## COLORS



WHITE

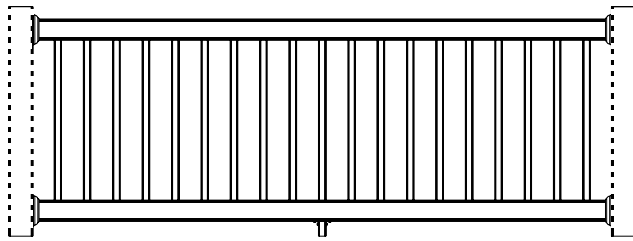
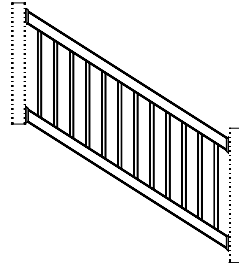


KHAKI

## STAIR RAIL APPLICATION

### FAST AND EASY INSTALLATION

Stair rail applications are available in 6' spans for all three styles. Newel posts, rails and balusters are made from durable composites with the look of wood.

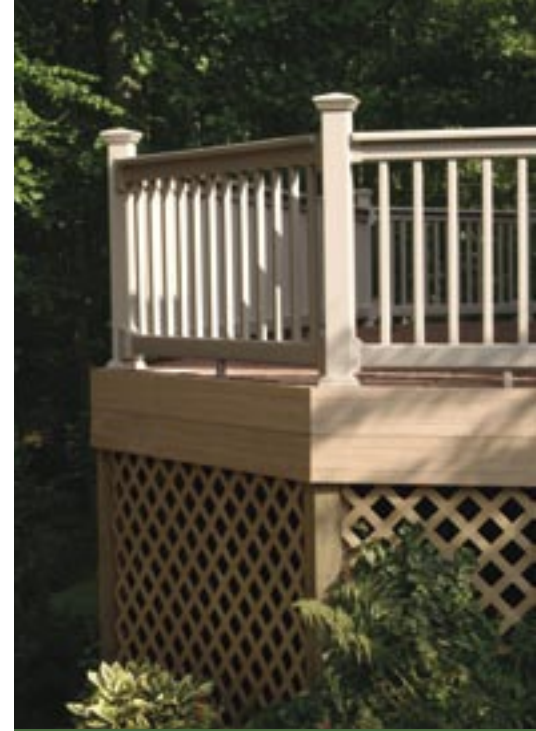
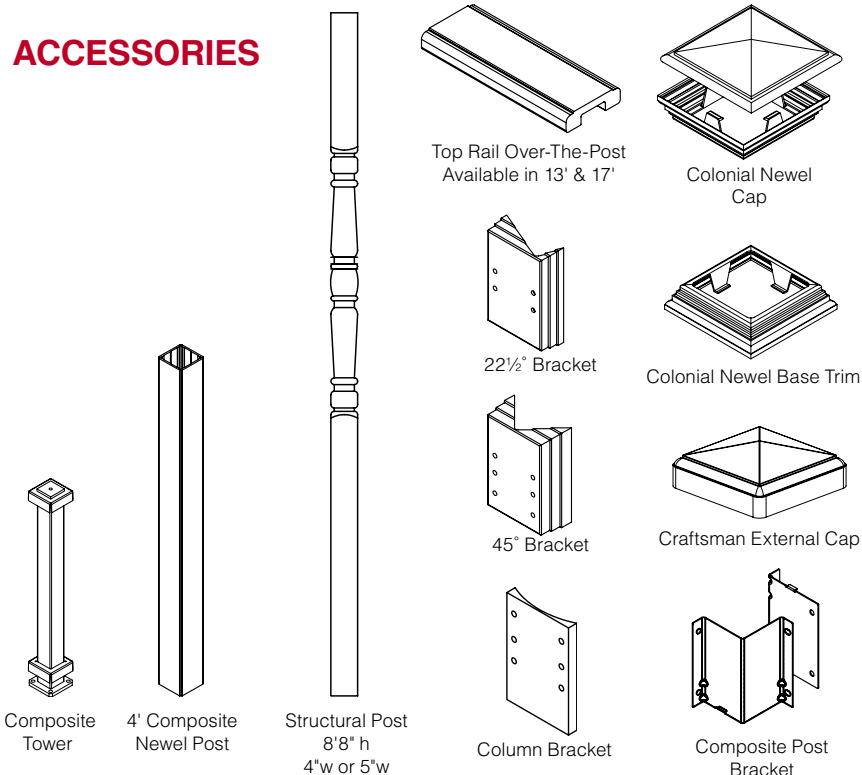


## CRAFTSMAN AND COLONIAL KITS INCLUDE

QTY	DESCRIPTION	NOTE:
2	Composite Rail	The Craftsman Over-The-Post kit is a Craftsman kit with a cap rail that is available in both 13' and 17' lengths. All required brackets are included in the standard Craftsman kit.
19	Composite Balusters (8' kit)*	
1	Aluminum Insert	
4	Composite Rail Bracket with Screws	
1	Composite Foot Block Kit	
1	Touch-Up Paint	
2	Saddle Bracket with Screws (used if applying Top Cap Rail only)	
1	Set of Application Instructions	

\*6' kit contains 14 balusters

## ACCESSORIES



## EVERYTHING YOU NEED FOR A QUALITY LOOK.

The routed system offers an attractive finished look without exposed fasteners. Routed holes and precision manufacturing assures that parts fit together tightly for a solid feel—and quality appearance. Plus it is available in 6' and 8' spans to meet your design requirements.

