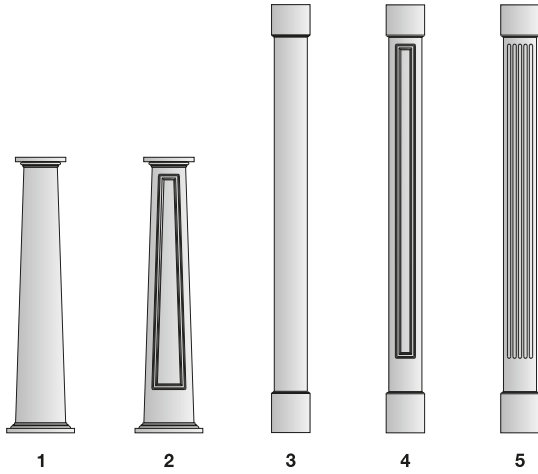
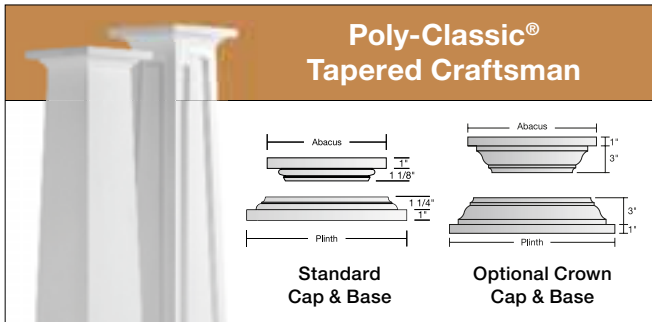


Poly-Classic® Craftsman Series Columns Standard Stock Designs



1	Unfluted Tapered Square
2	Paneled Tapered Square
3	Unfluted Non-Tapered Square
4	Paneled Non-Tapered Square
5	Fluted Non-Tapered Square



Standard
Cap & Base

Optional Crown
Cap & Base

Tapered Craftsman - Availability

Nominal Bottom Column Width	Available Column Lengths			
	4'	5'	6'	8'
12"	✓ •	✓ •	✓ •	✓ •
16"	✓ •	✓ •	✓ •	✓ •
20"	✓ •	✓ •	✓ •	✓ •
24"	✓ •	✓ •	✓ •	✓ •

✓ Available unfluted. • Available paneled.

Tapered Craftsman - Shaft Specifications

Column Bottom		Column Top	
Nominal Width	Net Width*	Nominal Width	Net Width
12"	11 5/8"	8"	7 5/8"
16"	15 5/8"	12"	11 5/8"
20"	19 5/8"	14"	13 5/8"
24"	23 5/8"	16"	15 5/8"

* Before trimming.

Tapered Craftsman - Base Specifications

Nominal Bottom Column Width	Plinth Width	Plinth Height	Moulding Height	Inside Opening
12"	15 5/8"	1"	1 5/8"	7 5/8"
16"	19 5/8"	1"	1 5/8"	11 5/8"
20"	23 5/8"	1"	1 5/8"	15 5/8"
24"	27 5/8"	1"	1 5/8"	19 5/8"

Tapered Craftsman - Cap Specifications

Nominal Bottom Column Width	Abacus Width	Abacus Height	Moulding Height	Inside Opening
12"	11 5/8"	1"	1 1/8"	3 5/8"
16"	15 5/8"	1"	1 1/8"	7 5/8"
20"	17 5/8"	1"	1 1/8"	9 5/8"
24"	19 5/8"	1"	1 1/8"	11 5/8"

Tapered Craftsman - Panels Specifications

Nominal Bottom Column Width	Recess Width on Raised Panels	Side & Top of Shaft Before Recess
12"	1 1/4"	1 1/2"
16"	1 1/4"	1 1/2"
20"	1 1/4"	1 1/2"
24"	1 1/4"	1 1/2"

Optional Crown Cap & Base

Tapered Craftsman - Crown Base Specifications

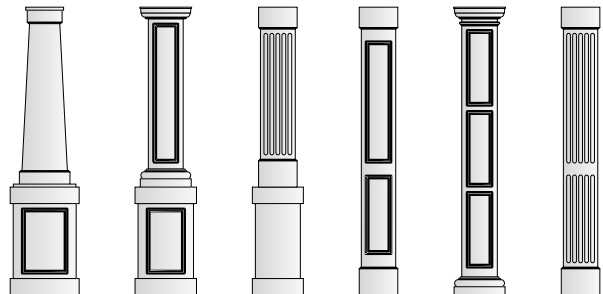
Nominal Bottom Column Width	Plinth Width	Plinth Height	Moulding Height	Inside Opening
12"	17 5/8"	1"	3"	7 5/8"
16"	21 5/8"	1"	3"	11 5/8"
20"	25 5/8"	1"	3"	15 5/8"
24"	29 5/8"	1"	3"	19 5/8"

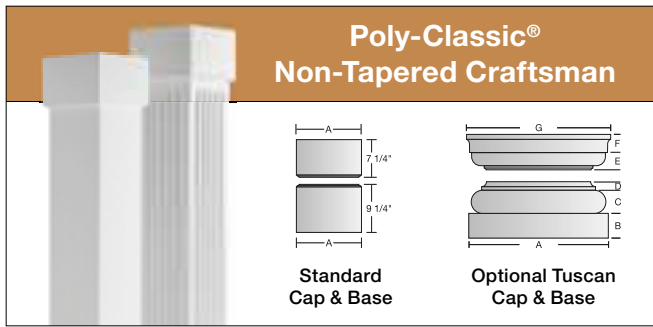
Tapered Craftsman - Crown Cap Specifications

Nominal Bottom Column Width	Abacus Width	Abacus Height	Moulding Height	Inside Opening
12"	13 5/8"	1"	3"	3 5/8"
16"	17 5/8"	1"	3"	7 5/8"
20"	19 5/8"	1"	3"	9 5/8"
24"	21 5/8"	1"	3"	11 5/8"

CREATE YOUR OWN LOOK

Turncraft welcomes the opportunity to customize your columns. Match your own home style with this versatile column series. Call our experienced design department for information and pricing to create your own custom order specifications.





Non-Tapered Craftsman - Availability					
Nominal Column Width	Available Column Lengths				
	4'	5'	6'	8'	10'
6"	✓•	✓•	✓•	✓•	✓•
8"	✓•▲	✓•▲	✓•▲	✓•▲	✓•▲
10"	✓•▲	✓•▲	✓•▲	✓•▲	✓•▲
12"	✓•▲	✓•▲	✓•▲	✓•▲	✓•▲

✓ Available unfluted. • Available fluted. ▲ Available paneled.

Non-Tapered Craftsman - Shaft Specifications		
Column Shaft		
Nominal Width	Net Width	Inside Diameter
6"	5 5/8"	4 3/8"
8"	7 5/8"	6 3/8"
10"	9 5/8"	8 3/8"
12"	11 5/8"	10 3/8"

Non-Tapered Craftsman - Cap & Base Specifications		
Nominal Column Width	Base Moulding Wrap Height	Cap Height
6"	9 1/4"	7 1/4"
8"	9 1/4"	7 1/4"
10"	9 1/4"	7 1/4"
12"	9 1/4"	7 1/4"

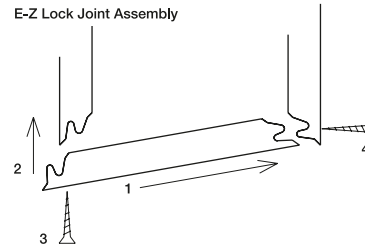
Non-Tapered Craftsman - Flutes & Panels Specifications					
Nominal Column Width	Number of Flutes	Flute Width (approx.)	Side of Shaft Before Flute	Recess Width on Raised Panels	Side & Top of Shaft Before Recess
6"	5	1/2"	1 1/16"	1 1/4"	1 1/2"
8"	5	3/4"	1 3/16"	1 1/4"	1 1/2"
10"	5	1"	1 5/16"	1 1/4"	1 1/2"
12"	5	1 1/4"	1 3/16"	1 1/4"	1 1/2"

Optional Tuscan Cap & Base

Non-Tapered Craftsman - Tuscan Base Specifications					
Nominal Column Width	Plinth		Base Moulding		Total
	A	B	C	D	B-D
6"	8 1/16"	1 1/2"	1 1/4"	15/32"	3 7/32"
8"	10 7/8"	1 7/8"	1 3/4"	9/8"	4 1/4"
10"	13 1/2"	2 3/8"	2 1/8"	3/4"	5 1/4"
12"	17"	2 3/4"	2 3/8"	7/8"	6"

Non-Tapered Craftsman - Tuscan Cap Specifications						
Nominal Column Width	Round			Abacus		Total
	E	F	G	H	I	G-H
6"	3/4"	1"	31/32"	1 1/16"	8 7/16"	2 1/32"
8"	3/4"	1 5/16"	1 5/16"	1 3/8"	11 1/4"	2 11/16"
10"	3/4"	1 9/16"	1 13/16"	1 3/4"	13 7/32"	3 9/16"
12"	3/4"	1 1/8"	1 7/8"	2"	17 1/4"	3 7/8"

E-Z Lock Joint System



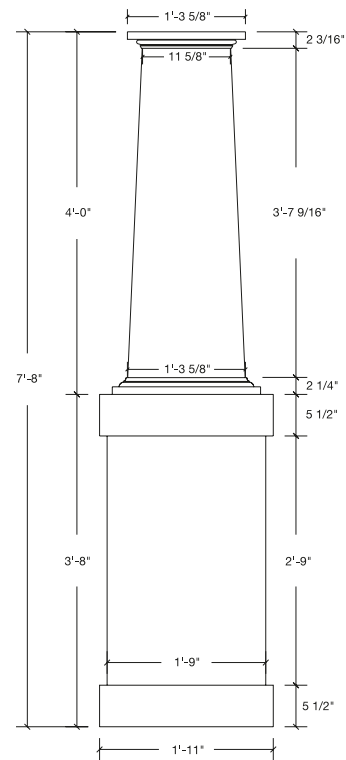
POLY-CLASSIC® CRAFTSMAN SERIES COLUMNS

These columns give builders and homeowners the opportunity to recapture the simple, honest artistry of yesterday's craftsmen with today's most advanced materials and construction techniques. They are offered in tapered and non-tapered, fluted, and raised panel styles.

Manufactured using an E-Z Lock joint design, Poly-Classic Craftsman Series Columns are made from expanded cellular PVC, so, like their wooden forbearers, they can be trimmed, drilled, and fastened with traditional carpentry tools. Unlike traditional wooden columns that required exceptional joinery work and assembly, Poly-Classic Craftsman Series Columns are ready for quick and simple installation. Their hollow centers are also useful as channels for downspouts, wiring, and plumbing.

Craftsman Series columns are not load bearing. They must be installed around a pre-installed structural support (not provided by Turncraft). Columns must not be painted or finished with textures or colors that absorb excessive sunlight.

Fully detailed standard and custom plans



FOR YOUR CONVENIENCE

Professionally drawn, fully detailed standard and custom plans for products in the Turncraft Poly-Classic Craftsman Series are available upon request. Choose from PDF format for easy printing or CAD file (DXF, DWG, AEC) format for inclusion in project plans.